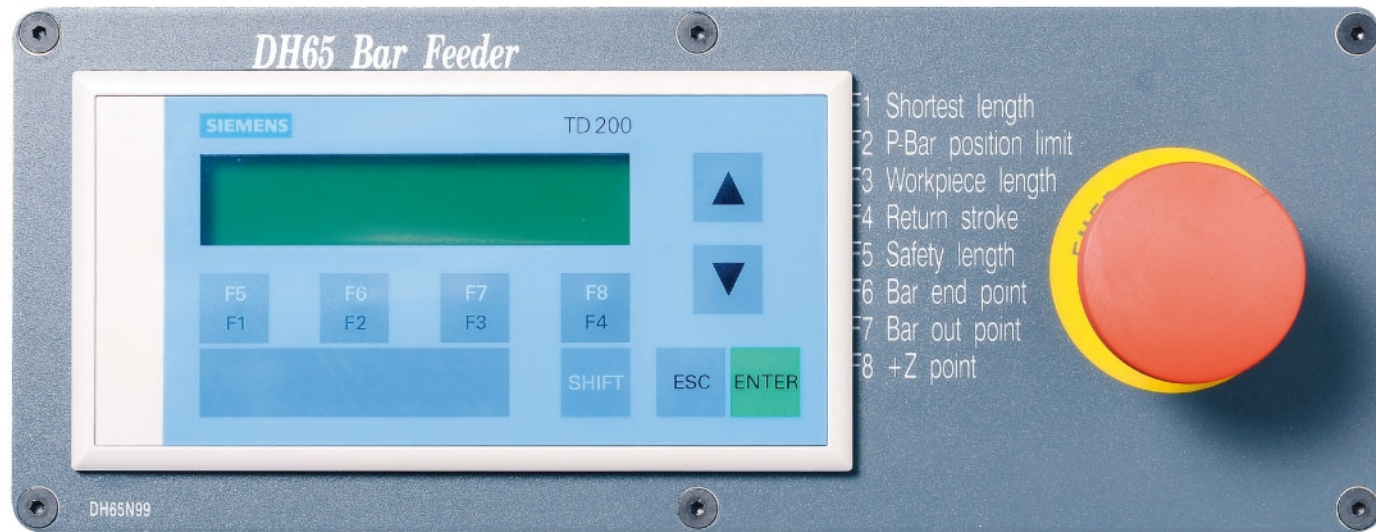


PLC 控制器 PLC Controller
 操控簡易，精密

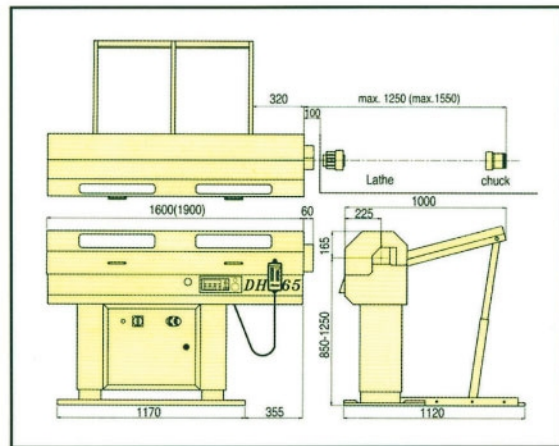


- Shortest length
 - P-Bar position limit
 - Workpiece length
 - Return stroke
 - Safety length
 - Bar end point
 - Bar out point
 - +Z point
- Convenient parameters setting without need of any program modification.
 - Length of waste material can be set as desired.
 - Short length of waste stock for reducing material waste to the minimum.
 - Retract stroke can be set up as desired.
 - I / O interfacing with any type of CNC lathe.
 - Self detection for abnormal motions and is displayed on LCD.
 - Remote controller provides convenient running test and adjustment.
 - Self detection for too short stock.

規格 Specifications

型號 MODEL	DH65	DH65L
棒材直徑 Bar diameter	φ5mm-φ65mm	φ5mm-φ65mm
棒材長度 Bar length	Max. 1250mm 棒材長度由主軸長度決定 Bar length depends on	Max. 1550mm 棒材長度由主軸長度決定 Bar length depends on
主軸長度 Spindle length	Max. 1200mm	Max. 1500mm
棒材容量 Bar capacity	φ65x10pcs	φ65x10pcs
主軸中心高度 Spindle height	850mm-1250mm	850mm-1250mm
重量 Weight	250kgs	280kgs
使用壓力 Air supply	6kg/cm2	6kg/cm2
電源供應 Power supply	220/380V 0.4A 50/60Hz	220/380V 0.4A 50/60Hz

■ 本公司不斷研究創新，尺寸規格如變更，恕不另行通知。
 ■ Design and specifications are subject to change without prior notice.



AUTOMATIC BARFEEDER

自動棒材送料機

DH-65 DH-65L



This product is completed operation and product liability insurance by Tokio Marine Nawa Insurance Co., Ltd

Advanced Controller Provides User-Friendly Operations

- Employs PLC controller with LCD display for maximum operation convenience.
- Extremely high speed . No spindle speed limitation to any lathe.
- I/O interfacing with all CNC lathes.
- Convenient setup. No special maintenance is required.
- Remote control box gives maximum convenience of operation and adjustment.

DH-65 DH-65L

Ø5-Ø65mm 直徑,
1200mm 長度。

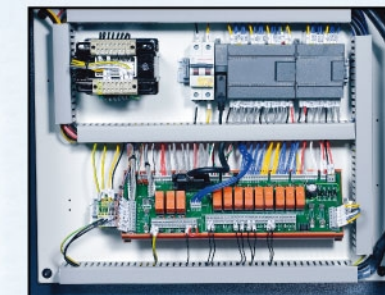
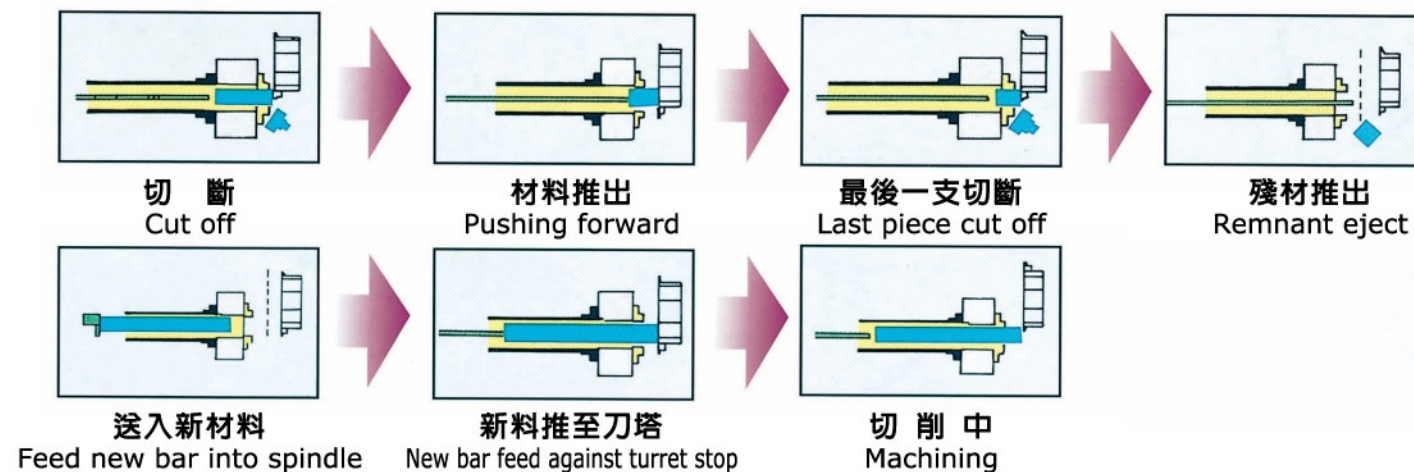
Ø5-Ø65mm 直徑,
1500mm 長度。

All New Short Bar Feeder Designed and engineered with outstanding features.



- Accomodates "black" bar.
- No special requirements needed for bar straightness.
- Remaining material can be set through parameters for great saving of material.
- Retract stroke can be set as desired.
- Self detection and LCD display for too short feeding and malfunctions.
- Bar diameters change is fast accomplished in only one minute. Accommodates hexagonal and square material.
- Accommodates hexagonal and square material.
- Extremely short cycle time for bar loading.

工作循環 Working Cycle



PLC 控制

- 電控符合CE標準。
- 與車床連線容易。

PLC CONTROLLER

- Control system meets CE standards.
- Convenient to be on-line with lathe.

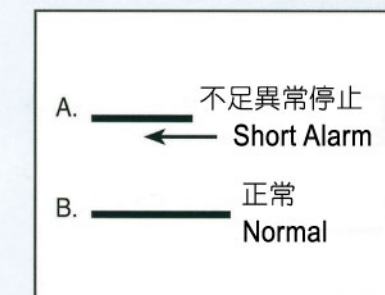


快速棒材交換

交換棒材直徑，1分鐘即可快速完成。

QUICK BAR DIAMETER CHANGE

Bar diameter change is quickly accomplished in only one minute. Accommodates hexagonal and square material.



送料移動數量確認裝置 Confirmation device Length

AUXILLIARY REMOTE CONTROLLER

- LCD displays position and malfunction.
- Remote control box gives maximum operation convenience.

