

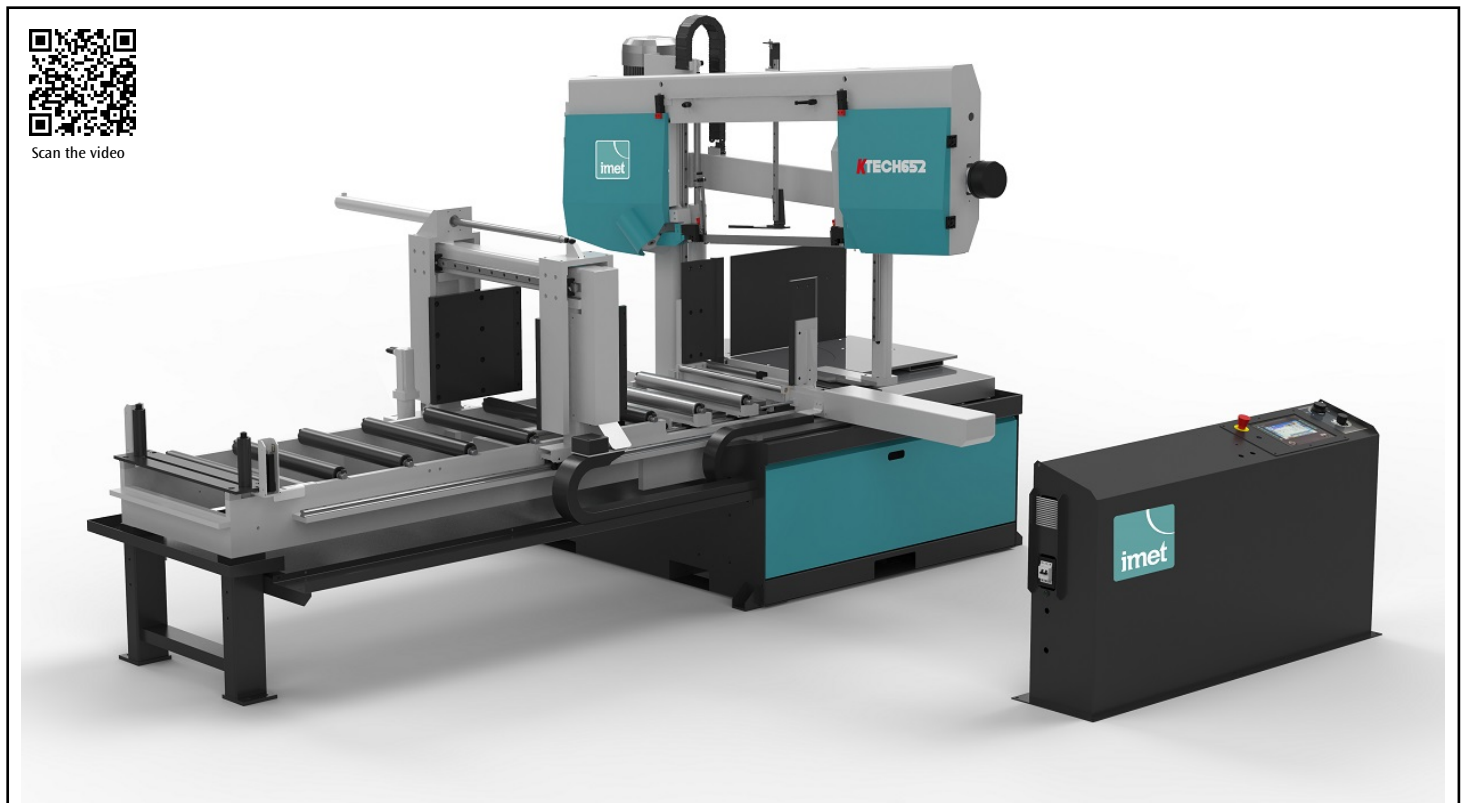
MACHINE MODEL

KTECH 652 F2000

Automatic double column bandsaws with CNC control

Short description

KTECH 652 is an automatic double column bandsaw that includes the most advanced technology available to cut bars, tubes, solids and profiles up to 60° both left and right. An automatic sawing machine with CNC managed feeder and sawframe, KTECH has 10" touch screen interface to manage the cutting process and is the perfect working tool for professionals.



Cutting capacity at 90°	Round: 510mm - Square: 480mm - Rectangular: 650x450mm
Cutting capacity at 45° (left)	Round: 440mm - Square: 430mm - Rectangular: 430x430mm
Cutting capacity at 45° (right)	Round: 440mm - Square: 440mm - Rectangular: 440x440mm
Cutting capacity at 60° (left)	Round: 250mm - Square: 250mm - Rectangular: 250x450mm
Cutting capacity at 60° (right)	Round: 250mm - Square: 250mm - Rectangular: 250x450mm
Cutting capacity at 0° bundle - scrapend	Max: 650x450mm - Min: 130x20mm - Scrap-end: 280mm
Cutting capacity at 0° solids (C45)	280mm (350mm with blade 41mm)
Minimum cutting diameter	10mm
Minimum cutting length	25mm
Minimum scrap-end	265mm (single cut at 90°)
Blade size	5320x34x1.1mm
Blade speed	Da 18 a 100 m/min
Blade power	3KW (4KW motor reducer available with blade 41mm)
Blade tension	1900kg/cm2
Feeder length	2000mm with automatic repetition (available 3000mm length option)
Feeder motor power	Brushless BMH 2.5 N-m

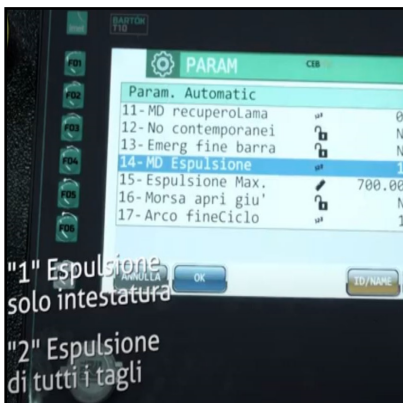
Hydraulic unit motor power	0,55Kw
Sawframe rotation motor power	0,55Kw
Working table height	845mm
Weight	4000kg
Size	3930x2870x2300mm

Features



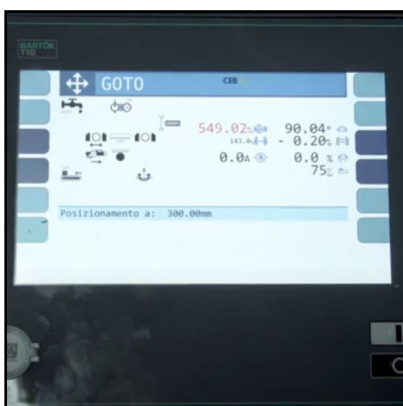
10" touch screen display

KTECH 652 has an easy and intuitive interface dedicate to optimize the user-experience: thanks the CNC system and 10" touch screen display the user can manage all the machine operative function, set up 99 cutting program and multiple cutting length on the same bar, set the number of feeder stroke, the number of pieces and blade speed. It's also possibile to do an autodiagnostic to detect errors.



Expulsion

The operator can select, through the machine parameters, to set the automatic expulsion of the cut pieces in 3 different ways: 0 - no expulsion; 1 - expulsion only for trim-cut; 2 - expulsion for all cut pieces. It's possibile to set the expulsion length from machine parameters.



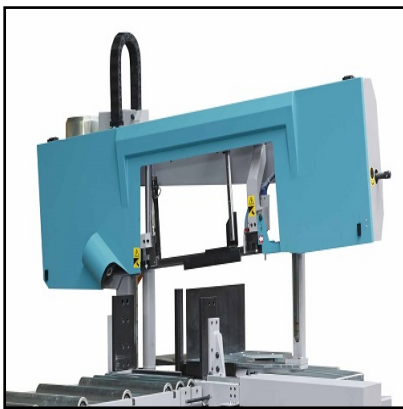
Feeder as length stop

It's possibile to use the feeder as length stop when the machine is cutting in semiautomatic cycle by taking the feeder to the required length (minimum 270 mm, maximum distance between blade and feeder) using the GO TO option; in this case the bar will be loaded by the unloading side. Feeder vice is completely closed to be used as length stop.



4 controlled axes

KTECH line automatic bandsaws have an innovative 4 controlled axis system (lateral movement and closing of the vice, material feeding and sawframe rotation), all managed by numeric control. All the machine movement and setting can be controlled and modified via touch screen display.



Rigid sawframe with big structure

KTECH 652 sawframe is electrowelded with rigid structure and big thickness. The massive structure helps reduce vibrations, binding or slowing during the cutting process, saving sawblade life and durability. High cutting performances even on the biggest sections and full materials are provided by the canted blade.



Sawframe rotation

The automatic sawframe rotation is managed by motor reducer and inverter. An hydraulic piston lock the bow once it reached the set position. To keep clean and allows perfect rotation, an air-cleaning system is working during the rotation. Bow rotation power is 0.55KW.



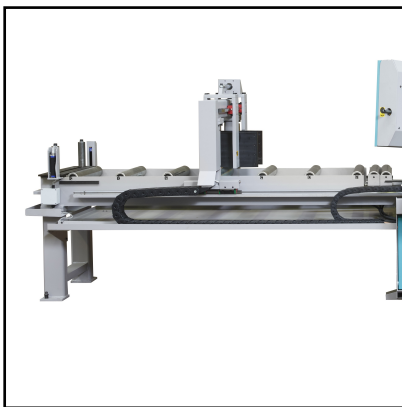
Blade

KTECH's blade is equipped with electronic inverter to expand the blade speed range (from 18 to 100 m/min) so that the cut is optimized on a wide range of materials, saving also the blade life. To operate even on wider section and full material without having strain on the band, the blade has a high tension (2000kg/cm²).



Material detect device

Mechanical material detection system automatically detect the first point point, allowing the fast approach of the bow to the material. The end-cutting process is managed by a microswitch placed on the mobile blade guides that automatically detect when the cutting process ends.



Feeder

The machine is equipped with a 2000mm feeder (it's available a 3000mm feeder) with integrated roller table. The movement (which is managed by the touch screen interface) is provided by a brushless BMH 2.5 N-m motor with rack and pinion. Minimal scrap-end is 250 mm while the minimum cutting length is 10mm. It's also available on request the longer feeder (F3000 or F6000).



Cutting precision and accuracy

KTECH line bandsaws have an automatic control of the pieces size thanks to the infinitesimal encoder and the automatic correction of the cutting lengths. Thanks to the innovative angle measurement system (angle readingo is set outside the machine center), the machine has an high positioning accuracy and the best cutting precision.



Minimal lubrication system

Minimal lubrication system is standard to avoid any coolant dispersion, keeping working area perfectly clean so that the machine can always work in the most efficient way; it works thanks to automatic switch and it has 2 nozzle and 1.3 l tank capacity.



Washing gun

Premium Line automatic bandsaws and semiautomatic and automatic Maxi Line bandsaws are standardly equipped with a washing gun dedicated to keep clean the working area and remove any residuals and remainings, allowing to keep the highest efficiency of the machine.



High performances package (Optional)

OPTIONAL

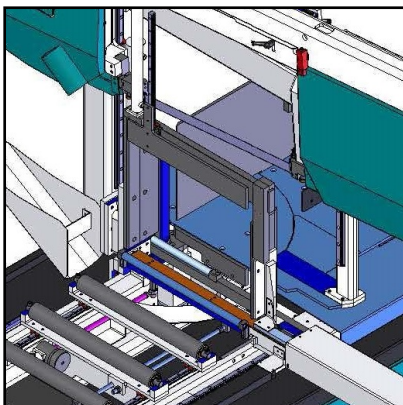
It's available for KTECH 652 the high performances package dedicated to increase the machine cutting performances even on bigger sections and with larger solids and full materials. The package includes: supplement for 4 KW motoreducer, blade 41 mm in height and hydraulic blade tensioning device.



Blade deviation control (Optional)

OPTIONAL

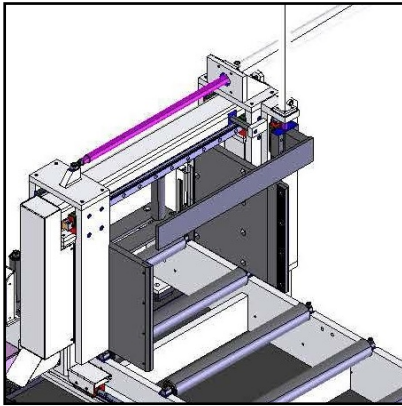
It allows to always have cutting process with the right tollerance. It's possibile to set the preferredleranza tollerance based on the needs for a specific material or cutting angle (maximum tollerance: 0.2mm).



Bundle cutting device (Optional)

OPTIONAL

Hydraulic bundle cutting device. Maximum capapcity with bundle is 650x450, minimum capacity is 130x20mm. Minimum scrap end with bundle device: 300mm. If the user wants to use the machine for mitre cutting, this device must be disassembled.



Bundle cutting device (optional)

OPTIONAL

Together with the pressure placed next to the vice, the bundle cutting is made also by a supplementary device placed on the integrated feeder on outer part of feeder's jaws. This device must not be removed to use mitre cutting.



Laser ray (Optional)

OPTIONAL

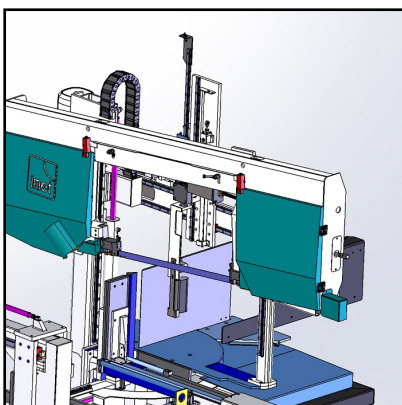
To ease the working process, it's possibile to require di special laser ray that points the cutting line on di the material before starting to operate.



Industry 4.0 Ready - SAWFACTORY (Optional)

OPTIONAL

IMET automatic machines can be connected to the company network and be used remotely thanks SAWFACTORY and modem. SAWFACTORY is a dedicated software which allows to manage the cutting process from the office desk by setting cutting programs and monitoring the workflow thanks to the dedicated web app. The software also allows to also receive assistance by our technicians remotely. Discover SAWFACTORY: <https://bit.ly/2RuxHuX>



Marking system (Optional)

OPTIONAL

It's available for KTECH 502-652 models the automatic ink marking system that allows to impress a code on cut pieces to ease the material selection after the cut: the marking systems works before the cut and its programming is integrated with the machine CNC (allowing to create a unique program via KTECH touch screen) but it's equipped with its own independent touch screen display.



Metal protection barriers (Optional) OPTIONAL

According to CE law, it's also available the protection safety system made by metallic barriers that covers the machine on the 4 side with CNC managed access doors to regulate and control the operator access to the . working area.



Pair of safety photocells (Optional) OPTIONAL

It's possible, if the user doesn't want a full metallic barriers protection system, to install a pair of photocells instead of one of the metallic side.



Loading/unloading roller table (Optional) OPTIONAL

Loading and unloading roller table. The module is composed by a 1.5m element with 1 leg and 1500kg maximum capacity. It's also available a connection element to adapt it to the machine for the unloading side.



Single vertical roll (Optional) OPTIONAL

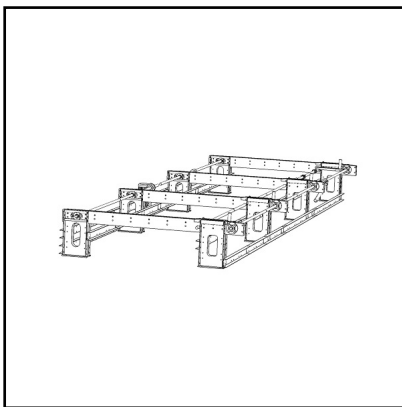
Single vertical roll to prevent fails Height 300mm. Max 2 pairs for each 1.5m element.



Pair of vertical rolls (Optional)

OPTIONAL

Pair of vertical containment rolls made in steel. Max 2 pairs every 1.5 element. Max 2 coppie



Automatic loading system (Optional)

OPTIONAL

Automatic bar loader driven by the saw control software where the bars are automatically fed, consisting of supporting surfaces with a drag chain and loading stations (from 5 to 15). The supporting surfaces can be easily moved thanks to a modular structure. The feeder is provided with a system of blockage of the bar and with vertical aligning rollers and gearboxes to move the drag chains. The system is driven by the software of the saw to which it is connected.



Automatic unloading system (Optional)

OPTIONAL

Upon request it's available a customized material unloading system with bar warehouse developed based on the customer requests and needs.