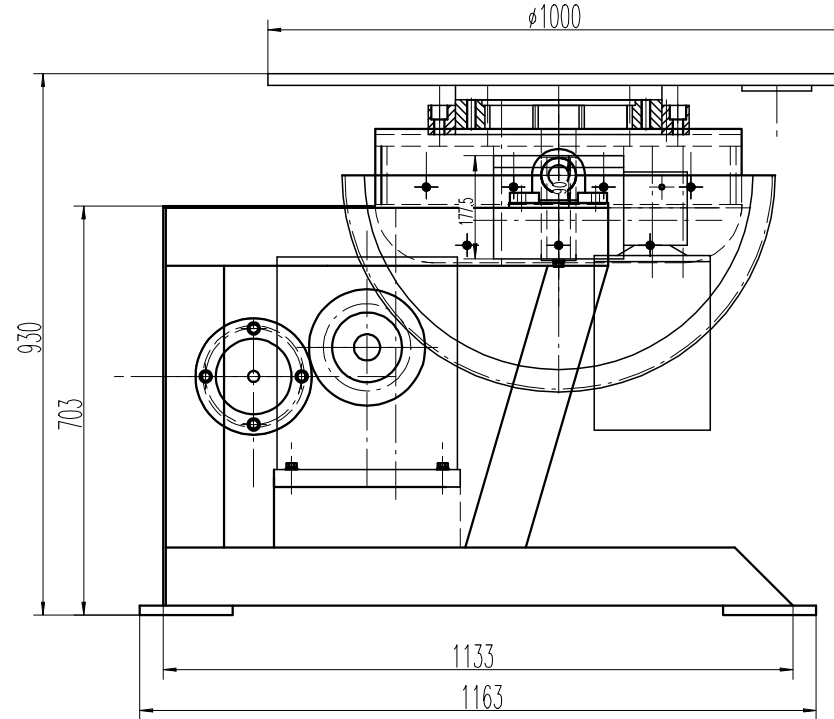
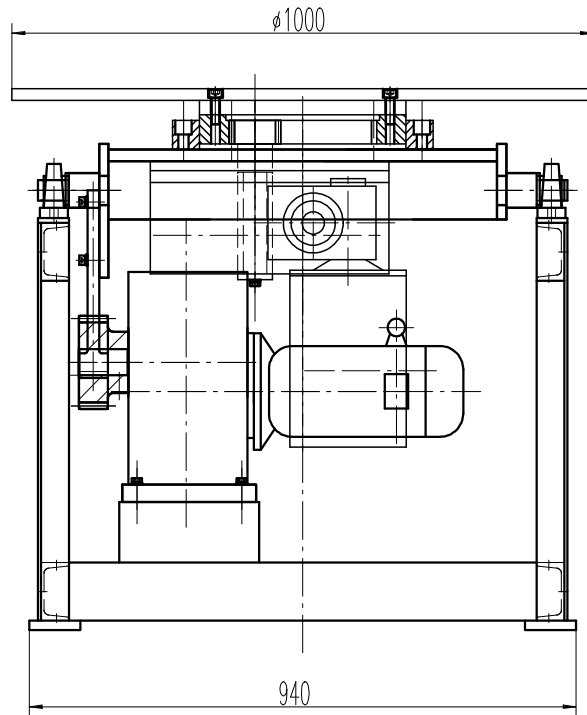


Technical parameter

SN	ITEM	PARAMETER
1	Model	ZHBJ-01
2	Rated loading	100KG
3	Worktable dia.	φ400mm
4	Overturning angle	0-90°
5	Overturning speed	by manual
6	Overturning motor power	NO
7	Rotating speed	0.04-4rpm
8	Rotate motor power	120W
9	Speed control	VFD
10	Max. eccentricity distance	100mm
11	Max. gravity center distance	150mm
12	Voltage	As per required
13	Color	As per required

				100KG Welding positioner				ZHBJ-01							
Mark		Amount		Weight		Proportion		Mark		Amount		Weight		Proportion	
						1:3									
Design				Check				Confirm				Draft			
毛嘉锡				Standard				Approve				Y M D			
General Drawing								Wuxi Ronnewell Machinery Equipment Co., Ltd.							



Technical parameter		
SN	ITEM	PARAMETER
1	Model	ZHBJ-06
2	Rated loading	600KG
3	Worktable dia.	$\phi 1000\text{mm}$
4	Overturning angle	0-90°
5	Overturning speed	1.1rpm
6	Overturning motor power	0.75KW
7	Rotating speed	0.11-1.1rpm
8	Rotating motor power	0.55KW
9	Speed control	VFD
10	Max. eccentricity distance	150mm
11	Max. gravity center distance	200mm
12	Voltage	As per required
13	Color	As per required

				600Kg Welding Positioner				ZHJ-06							
Mark		Amount		Weight		Proportion		Mark		Amount		Weight		Proportion	
						1:6.5									
Design				Standard				Total page				Page			
Check				Approve											
Confirm								General Drawing				Wuxi Ronniwell Machinery Equipment Co., Ltd.			
Draft				Y M D											